

Modular Filter Housing Skids

Product Introduction



Filtrafine provides variety of modular filter housings to meet customers' different requirements. The modular filter housing skids are available in kinds of Filtrafine filter housings, which could be applied in different industrial applications. The modular housing design allows for flexibility to process turn-down as well as for continuous operation during filter element change-out.

- Manufactured under a certified ISO 9001 quality system
- ASME Code U/UM stamp (optional)

Product Specifications

Features and benefits

- Modular housing design allows for flexibility to process turn-down as well as for continuous operation during filter element change-out
- Available in 304 or 316 stainless steel material for maximum compatibility with process fluids and operation conditions
- Operator friendly swing eye bolt design allows for quick filter change-out
- High interior surface finishing avoids particle contamination, allowing for easy cleaning
- Designed to accept industry-wide standard filter bag size #2 as well as Filtrafine range of high surface area filter elements

Dimensions

- Inlet/Outlet: 3", 4", 5", 6", 7", 8"
- Connection Types: ANSI, JIS, and DIN Flange
- Vent : 1" NPT
- Drain: 1.5" NPT
- Gauge: 1/4" NPT

Materials of Construction

- Head: 304 or 316 Stainless Steel
- Shell: 304 or 316 Stainless Steel
- Internal Components: 304, 316 Stainless Steel
- Shell O-rings: EPDM (standard)
Silicone, Teflon Encapsulated Viton,
Viton (optional)

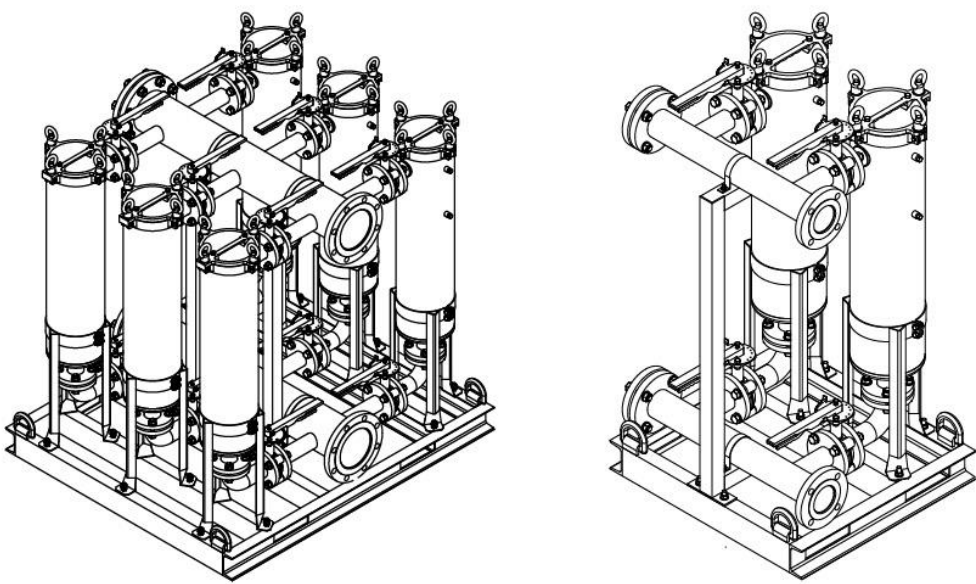




Performance Specifications

Maximum Operating Pressure

150 psig (10.3 bar) @ 200°F (93°C) in liquid service



Ordering Information

Number of Housing	Product Name	Bag Size	Material of Construction	Bag Housing Type	Inlet/Outlet Connection Size	Connection Type	Main Pipe Connection Size	Main Pipe Connection Type	Code	Pressure Rating (psig)	Option	ASME Stamp	
1x2	FSB	1=01	A=304SS	T=Top-Entry	1",2"	FA=ANSI Flange	3", 4", 5", 6", 8"	FA=ANSI Flange	C	150	Blank=None	-UM	
1x3				S=Side-Entry		FJ=JIS Flange		FJ=JIS Flange			EP=Electro		
1x4				M=Machine		FD=DIN Flange		FD=DIN Flange			NC=None Code		Blank=None
2x2				Cutting Head		TN=NPT Thread		TN=NPT Thread			C=ASME Code		U=U Stamp
2x3				Side Entry		TP=PT Thread		TP=PT Thread			P=Mechanical		UM=UM Stamp
2x4						TB=BSP Thread		TB=BSP Thread			polished		