

# MQB Series Rapid Open Multi-Bag Filter Housings



## Product Introduction



Filtrafine MQB series stainless steel multi-bags filter housing provides high-volume solutions for high flow applications. The MQB series housing is available to accommodate 3 to 12 bags and size 1 or size 2 length filter bags. The MQB series is designed with a proven swing eye bolt closure mechanism to ensure sealing. It offers innovative rapid open cover lifting mechanism to provide quick and easy filter bags replacement, especially for the process which requires frequent change-out. User friendly low profile housing design allows installation in confined spaces and eliminates the need of ladder, tool and catwalk. MQB series filter housing is constructed of 304, 316 or 316L stainless steel material which gives excellent resistance of corrosion for product purity.

- Manufactured under a certified ISO 9001 quality system
- ASME Code U stamp (optional)

## Product Specifications

### Materials of Construction

- Shell: 304, 316 or 316L Stainless Steel
- Legs/swing Eye Bolts: 304 Stainless Steel
- O-rings: EPDM (standard)  
Silicone, Teflon Encapsulated Viton,  
Viton (optional)

### Dimensions

- Inlet/Outlet: 4", 6", 8", 10"
- Connection Types: ANSI, JIS, and DIN Flange
- Vent : 1" NPT
- Drain : 1" NPT
- Guage : 1/4" NPT

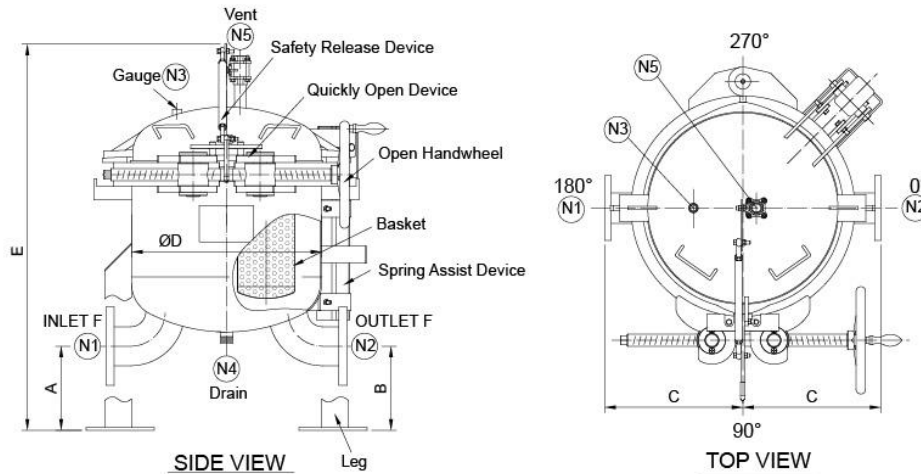
## Performance Specifications

### Maximum Operating Pressure

150 psig (10.3 bar) @ 77°F (25°C) in liquid service



Model	Dimension Inch (mm)					
	A	B	C	Ø D	E	F
3MQB1	11.8"(300)	11.8"(300)	13.9"(354)	22"(558)	43.5"(1105)	4"
4MQB1						
5MQB1						
6MQB1	11.8"(350)	11.8"(350)	18.7"(475)	26"(658)	49.4"(1255)	6"
7MQB1						
8MQB1						
10MQB1	11.8"(300)	11.8"(300)	26.9"(683)	38"(962)	54.5"(1385)	10"
12MQB1						
3MQB2						
4MQB2	6.1"(155)	6.1"(155)	13.9"(354)	22"(558)	52.2"(1325)	4"
5MQB2						
6MQB2						
7MQB2	7.1"(180)	7.1"(180)	18.7"(475)	26"(658)	57.1"(1450)	6"
8MQB2						
10MQB2						
12MQB2	9.8"(250)	9.8"(250)	23.0"(683)	38"(962)	66.9"(1700)	10"



## Ordering Information

3	MQB	2-	316L-	4	F	S	A-	C	150	-P	-U
Number of Element	Product Name	Bag Size	Material of Construction	Inlet/Outlet Connection Size	Connection Type	Lid Lifting	Flange Type	Code	Pressure Rating (psig)	Option	ASME Stamp
3, 4, 5, 6, 8, 10, 12	MQB	1=01 2=02	304=304SS 316=316SS 316L=316LSS	4", 6" 8", 10"	F=Flange	S=Spring Assisted	A=ANSI J=JIS D=DIN	NC=None Code C=ASME Code	150	Blank=None P=Mechanical polished	Blank=None U=U Stamp