

IDV-DOE Series Filter Housings



Product Introduction

Filtrafine IDV-DOE series is a single round metal cartridge filter housing with well developed construction design and high standard quality. The IDV-DOE series is available in electro-polished stainless steel 316 to meet a wide range of liquid filtration challenges. The innovative tri-clamp design provides absolute cartridge sealing to avoid liquid bypass and offer quick cartridge change-out without any special tools. The robust IDV-DOE series design permits visual inspection of cartridge sealing before closing the housing.

- Manufactured under a certified ISO 9001 quality system

Product Specifications

Materials of Construction

- Head: 316 Stainless Steel
- Shell: 316 Stainless Steel
- Mounting Bracket: 304 Stainless Steel
- O-rings: Viton (standard)
EPDM, Teflon Encapsulated Viton (optional)

Dimensions

- Inlet/Outlet: 3/4", 1" FNPT
- Vent/Gauge: 1/8" FNPT
- Drain: 1/4" FNPT

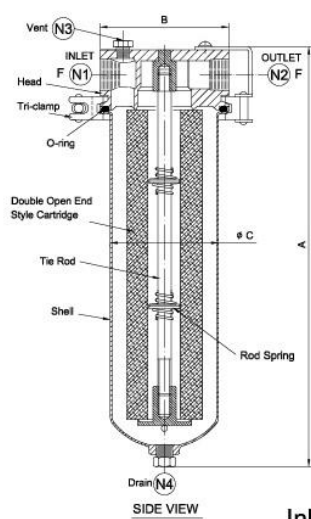
Performance Specifications

Maximum Operating Pressure

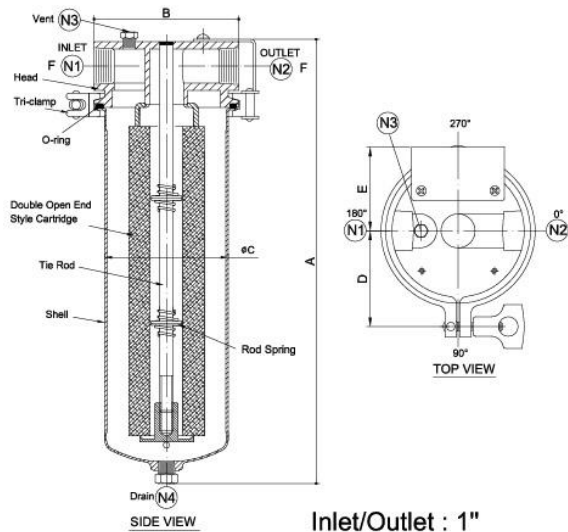
175 psig (12.1 bar) @ 77°F (25°C) in liquid service



Model	Max. Liquid Flow Rate gpm (lpm)	Dimension Inch (mm)						Weight lbs (kg)
		A	B	øC	D	E	F	
IDV4S	4 (15.1lpm)	7.5"(193)	4.2"(106)	3"(89)	2.7"(70)	2.7"(69)	3/4"	8.6lbs (3.9kg)
IDV10S	10 (37.9lpm)	13.5"(345)	4.2"(106)	3"(89)	2.7"(70)	2.7"(69)	3/4"	10.1lbs (4.6kg)
IDV20S	20 (75.7lpm)	23.7"(604)	4.2"(106)	3"(89)	2.7"(70)	2.7"(69)	3/4"	12.6lbs (5.7kg)
IDV4S	4 (15.1lpm)	8.3"(212)	4.6"(119)	3.5"(101.6)	3.1"(79)	2.7"(69)	1"	9.9lbs (4.5kg)
IDV10S	10 (37.9lpm)	14.3"(364)	4.6"(119)	3.5"(101.6)	3.1"(79)	2.7"(69)	1"	11.4lbs (5.2kg)
IDV20S	20 (75.7lpm)	24.3"(618)	4.6"(119)	3.5"(101.6)	3.1"(79)	2.7"(69)	1"	13.8lbs (6.3kg)



Inlet/Outlet : 3/4"



Inlet/Outlet : 1"

Ordering Information

IDV	10	S-	1	TN-	CB-	DOE
Product Name	Cartridge Length	Material of Construction	Inlet/Outlet Connection Size	Connection Type	Tri-Clamp Bracket	Cartridge Type
IDV	4=4" 10=10" 20=20"	S=316SS	3/4" 1"	TN=NPT Thread TP=PT Thread TB=BSP Thread	CB=Tri-Clamp Bracket	DOE=Double Open End