

BDV Series Sanitary Filter Housings



Product Introduction

Filtrafine BDV series sanitary filter housing is made of stainless steel 304, 316 or 316L material, which is designed for sterile filtration prior to bottling. All internal surfaces are polished to 0.2 RA to limit microbial adhesive and provide easy cleaning. The sanitary connection design ensures product can no longer become contaminated. The BDV series housing is compatible with 1 to 29 rounds and 10" to 40" length filter cartridges for client various flow rate demands. BDV series is compatible with Filtrafine VSF, BPPF and BGPF series filter cartridges, which meets and surpasses the filtration criteria necessary to maintain product quality.

- Manufactured under a certified ISO 9001 quality system
- ASME Code U/UM stamp (optional)

Product Specifications

Materials of Construction

- Head: 316 or 316L Stainless Steel
- Shell: 316 or 316L Stainless Steel
- Leg/Clamp: 304 Stainless Steel
- O-rings: Silicone (standard)
EPDM, Teflon Encapsulated Viton, Viton (optional)

Dimensions

- Inlet/Outlet: 1"- 6" Ferrule Ends
- Vent : 1/2"- 1" Ferrule End

* If you need over 12 rounds cartridge housing, please contact with your Filtrafine representative.

Performance Specifications

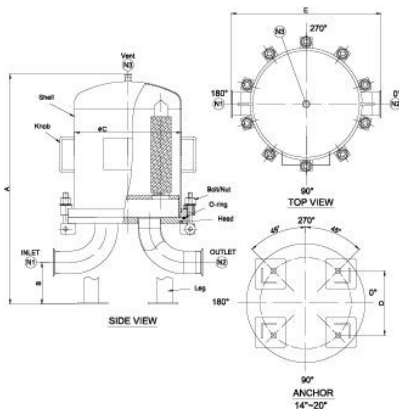
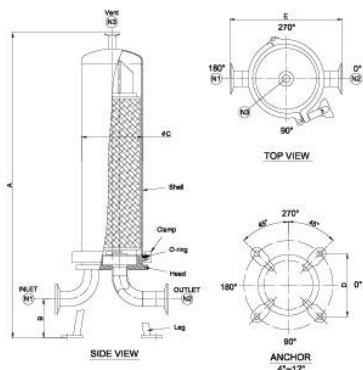
Maximum Operating Pressure

150 psig (10.3 bar) @ 77°F (25°C) in liquid service



Model	Element	INLET / OUTLET	Vent	Dimension Inch (mm)					Cartridge Diameter
				A	B	C	D	E	
18DV1-1	1	1"	1/2"	20" (509)	2.5" (65)	4" (102)	4.1" (105)	7.4" (188)	2.8" (71)
28DV2-1	1	1"	1/2"	30" (763)					
38DV3-1	1	1"	1/2"	40" (1017)					
48DV4-1	1	1"	1/2"	50" (1271)					
3BDV1-1.5	3	1.5"	1/2"	22.4" (570)	3.1" (80)	6" (169)	6.1" (156)	10.5 (268)	2.8" (71)
6BDV2-1.5	3	1.5"	1/2"	32.4" (824)					
9BDV3-1.5	3	1.5"	1/2"	42.4" (1078)					
12BDV4-1.5	3	1.5"	1/2"	52.4" (1332)					
4BDV1-2	4	2"	1/2"	24.2" (617)	3.9" (100)	8" (215)	8.3" (212)	13" (332)	2.8" (71)
8BDV2-2	4	2"	1/2"	34.2" (871)					
12BDV3-2	4	2"	1/2"	44.2" (1125)					
16BDV4-2	4	2"	1/2"	54.2" (1379)					
6BDV1-2	6	2"	1/2"	25" (636)	3.9" (100)	9" (237)	10.3" (262)	12.8" (326)	2.8" (71)
12BDV2-2	6	2"	1/2"	35" (890)					
18BDV3-2	6	2"	1/2"	45" (1145)					
24BDV4-2	6	2"	1/2"	55" (1399)					
8BDV1-2.5	8	2.5"	3/4"	27" (686)	4.7" (120)	10" (273)	11.2" (287)	15.7" (400)	2.8" (71)
16BDV2-2.5	8	2.5"	3/4"	37" (940)					
24BDV3-2.5	8	2.5"	3/4"	47" (1194)					
32BDV4-2.5	8	2.5"	3/4"	57" (1448)					

Model	Element	INLET / OUTLET	Vent	Dimension Inch (mm)					Cartridge Diameter
				A	B	C	D	E	
118DV1-3	11	3"	3/4"	28.3" (721)	4.7" (120)	12" (318)	13.6" (346)	17.4" (442)	2.8" (71)
228DV2-3	11	3"	3/4"	38.3" (975)					
338DV3-3	11	3"	3/4"	48.3" (1229)					
448DV4-3	11	3"	3/4"	58.3" (1483)					
158DV1-3	15	3"	3/4"	30.2" (768)	5.5" (140)	14" (356)	8.4" (215)	20.1" (500)	2.8" (71)
308DV2-3	15	3"	3/4"	40.2" (1022)					
458DV3-3	15	3"	3/4"	50.2" (1276)					
608DV4-3	15	3"	3/4"	60.2" (1530)					
208DV1-4	20	4"	1"	34.1" (868)	7.8" (200)	16" (406)	9.9" (253)	23.9" (608)	2.8" (71)
408DV2-4	20	4"	1"	44.1" (1122)					
608DV3-4	20	4"	1"	54.1" (1376)					
808DV4-4	20	4"	1"	64.1" (1630)					
248DV1-4	24	4"	1"	34.6" (880)	7.8" (200)	18" (456)	11.2" (287)	25.5" (648)	2.8" (71)
488DV2-4	24	4"	1"	44.6" (1134)					
728DV3-4	24	4"	1"	54.6" (1388)					
968DV4-4	24	4"	1"	64.6" (1642)					
298DV1-6	29	6"	1"	38.8" (987)	8.6" (220)	20" (508)	12.9" (329)	27.9" (710)	2.8" (71)
588DV2-6	29	6"	1"	48.8" (1241)					
878DV3-6	29	6"	1"	58.8" (1495)					
1168DV4-6	29	6"	1"	68.8" (1749)					



Ordering Information

No. of 10" Equiv.	Product Name	Cartridge Length	Material of Construction	Inlet/Outlet Connection Size	Tri-Clamp Bracket	Code	Pressure Rating (psig)	Cartridge Type	ASME Stamp
1, 2, 3, 4, 6, 8, 9, ..., 116	BDV	1=10" 2=20" 3=30" 4=40"	S=316SS SL=316LSS	1", 1.5", 2", 2.5", 3", 4", 6"	CB=Tri-Clamp Bracket EB=Eye Bolt Closure	Blank=None Code C=ASME Code	100 150	Code 3=222 / Flat Code 8=222 / Fin Code 7=226 / Fin, Bayonet Code 28=222 / Fin, Bayonet	Blank=None Code U=U Stamp UM=UM Stamp