

NHV High Flow Series Filter Housings



Product Introduction

Filtrafine NHV series filter housing can accommodate single or multiple Filtrafine NHF cartridges. Its vertical design saves more accommodation space, and its swing eye bolt closure design makes cartridge change-out quick and durable. Besides, customized designs are available.

- Manufactured under a certified ISO 9001 quality system
- ASME Code U/UM stamp (optional)
- Rubberlined housing (optional)

Product Specifications

Materials of Construction

- Head/Shell: 304, 316 or 316L Stainless Steel
- Connections: 304, 316 or 316L Stainless Steel
- Internal Components: 304, 316 or 316L Stainless Steel
- Swing Eye Bolts: 304 Stainless Steel
- O-rings: EPDM (standard)
Silicone, Teflon Encapsulated Viton,
Viton (optional)

Dimensions

- Inlet/Outlet: 3"-18"
- Connection Types: ANSI, JIS, and DIN Flange
- Vent : 1" NPT
- Drain: 1 1/2" NPT
- Gauge: 1/4" NPT

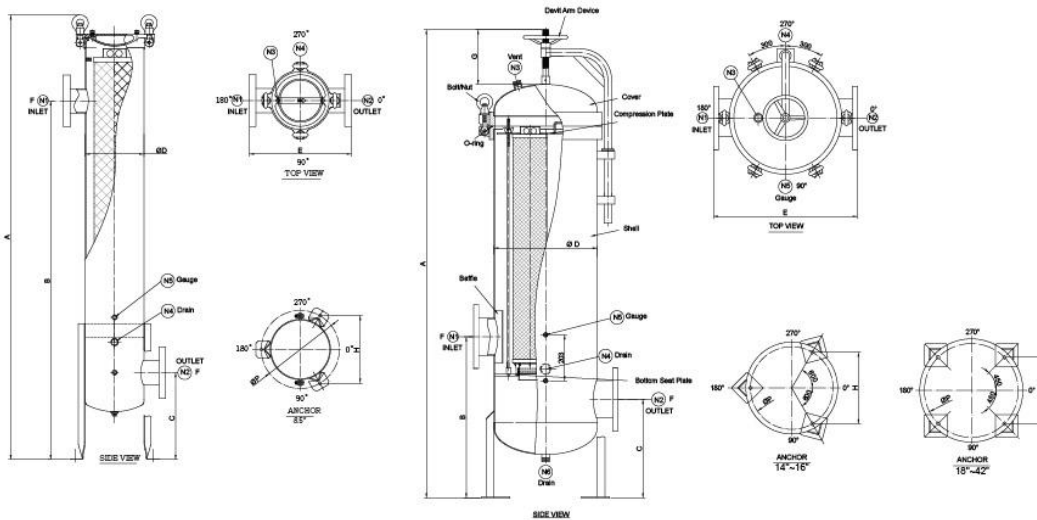
Performance Specifications

Maximum Operating Pressure

150 psig (10.3 bar) @ 77°F (25°C) in liquid service



Model	Dimension Inch (mm)								
	A	B	C	ØD	E	F	G	H	ØP
1NHV	64.4"(1637)	51.9"(1320)	12.5"(320)	8.5"(216)	14.8"(376)	3"		9.8"(249)	11.2"(287)
2NHV	78.1"(1986)	25.9"(660)	15.7"(400)	14"(356)	21.1"(536)	5"		10.7"(272)	12.3"(314)
3NHV	80.3"(2040)	27.5"(700)	16.6"(423)	16"(406)	23"(586)	6"		9.5"(242)	12.4"(316)
4NHV	81.4"(2069)	28"(712)	17.1"(436)	18"(456)	25"(636)	6"		9.5"(242)	11.5"(293)
5NHV	85.8"(2181)	32.4"(825)	18.7"(475)	20"(508)	27.8"(708)	8"		10.3"(262)	11.9"(304)
6NHV	87"(2211)	33.1"(843)	19.2"(488)	22"(558)	29.8"(758)	8"		10.3"(262)	13.3"(340)
8NHV	90.2"(2291)	37"(940)	20.6"(525)	24"(608)	32.6"(828)	10"		10.3"(262)	14.8"(376)
9NHV	91.3"(2321)	37.5"(953)	21.1"(538)	26"(658)	34.5"(878)	10"		10.3"(262)	16.1"(411)
11NHV	94.7"(2407)	41.3"(1050)	22.6"(575)	28"(710)	37.4"(950)	12"		10.3"(262)	18.1"(460)
13NHV	95.9"(2437)	41.8"(1063)	23.1"(587)	30"(760)	39.3"(1000)	12"		10.3"(262)	19.4"(495)
14NHV	98.5"(2502)	45.6"(1160)	24.2"(615)	32"(810)	42.1"(1070)	14"		10.3"(262)	20.8"(530)
16NHV	99.9"(2532)	46.1"(1173)	24.9"(633)	34"(860)	44"(1120)	14"		10.3"(262)	22.2"(565)
18NHV	105.5"(2682)	50.1"(1275)	26.3"(670)	36"(912)	46.9"(1192)	16"		12.8"(326)	22.6"(575)
20NHV	106.7"(2712)	50.6"(1287)	26.8"(682)	38"(962)	48.1"(1224)	16"		12.8"(326)	24"(611)
22NHV	109.9"(2792)	51.9"(1320)	28.3"(720)	40"(1012)	51.6"(1312)	18"		12.8"(326)	25.4"(647)
24NHV	115.2"(2926)	64.5"(1639)	31.5"(800)	42"(1074)	54"(1374)	18"		12.8"(326)	25.9"(658)



Ordering Information

4	NHV	4	A-	6	F	D	A-	C	150	-P	-U
Number of Element	Product Name	Cartridge Length	Material of Construction	Inlet/Outlet Connection Size	Connection Type	Davit Arm Assembly	Flange Type	Code	Pressure Rating (psig)	Option	ASME Stamp
1, 2, 3, 4, 5, 6, 8, 9, 11, 13, 14, 16, 18, 20, 22, 24	NHV	4=40"	A=304SS S=316SS SL=316LSS RL=Rubber Lining	3", 5", 6", 8", 10", 12", 14", 16", 18"	F=Flange	Standard	A=ANSI J=JIS D=DIN	NC=None Code C=ASME Code	150	Blank=None P=Mechanical polished	Blank=None U=U Stamp UM=UM Stamp