

LHV Series High Flow Filter Housings



Product Introduction

Filterfine LHV series high flow filter housing can provide solutions for a wide range of industry such as oil and gas exploration or RO-prefiltration use. In addition, its vertical design saves more accommodation space, and user-friendly swing eye-bolt with davit arm design allows quick and easy cartridge change-out.

- Manufactured under a certified ISO 9001 quality system
- ASME Code U/UM stamp (optional)

Product Specifications

Materials of Construction

- Head/Shell: 304, 316 or 316L Stainless Steel
- Connections: 304, 316 or 316L Stainless Steel
- Internal Components: 304, 316 or 316L Stainless Steel
- Swing Eye Bolts: 304 Stainless Steel
- O-rings: EPDM (standard)
Silicone, Teflon Encapsulated Viton,
Viton (optional)
- Option: Rubber lined housing is available, please consult factory.

Dimensions

- Inlet/Outlet: 3"-14"
- Connection Types: ANSI, JIS, and DIN Flange
- Vent : 1" NPT
- Drain: 1 1/2" NPT
- Gauge: 1/4" NPT

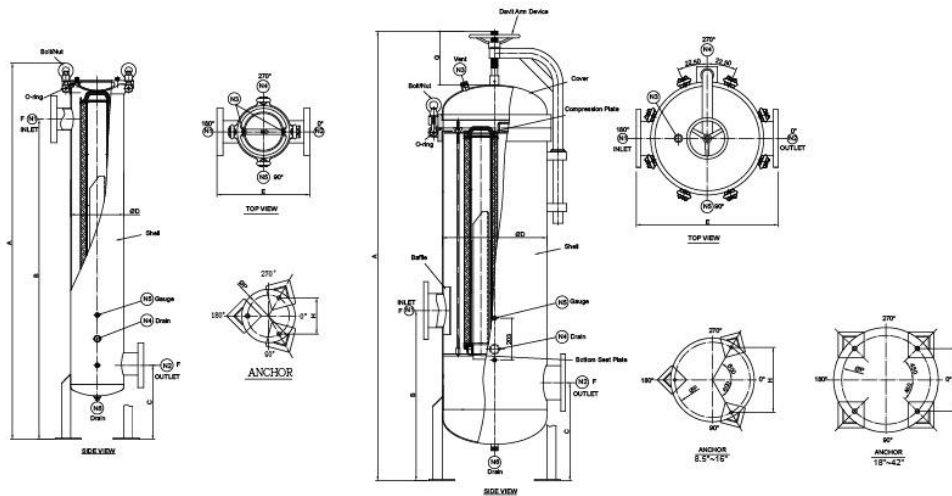
Performance Specifications

Maximum Operating Pressure

150 psig (10.3 bar) @ 77°F (25°C) in liquid service



Model	Dimension Inch (mm)								
	A	B	C	ØD	E	F	G	H	ØP
1LHV	60"(1522)	51"(1295)	11.8"(300)	8.5"(216)	17.7"(451)	3"		5.7"(147)	6.6"(169)
2LHV	78.1"(1984)	26"(662)	15.6"(398)	14"(355)	21.1"(536)	4"	9.5"(242)	10.7"(272)	12.3"(314)
3LHV	80.3"(2040)	27.5"(700)	16.6"(423)	16"(406)	23"(586)	5"	9.5"(242)	12.4"(316)	14.3"(365)
4LHV	81.4"(2069)	28"(712)	17.1"(436)	18"(456)	25"(636)	6"	9.5"(242)	11.5"(293)	16.3"(415)
5LHV	85.8"(2181)	32.4"(825)	18.7"(475)	20"(508)	27"(688)	6"	11.9"(262)	11.9"(304)	16.9"(430)
6LHV	87"(2211)	33.1"(843)	19.2"(488)	22"(558)	29"(738)	6"	11.9"(262)	13.3"(340)	18.9"(481)
7LHV	90.2"(2291)	37"(940)	20.6"(525)	24"(608)	31.8"(808)	8"	11.9"(262)	14.5"(370)	20.9"(531)
8LHV	91.3"(2321)	37.5"(953)	21.1"(538)	26"(658)	33.7"(858)	8"	11.9"(262)	16.1"(411)	22.9"(582)
10LHV	94.7"(2407)	41.3"(1050)	22.6"(575)	28"(710)	35.8"(910)	8"	11.9"(262)	18.1"(460)	25.5"(650)
12LHV	95.9"(2437)	41.8"(1063)	23.1"(587)	30"(760)	38.5"(980)	10"	11.9"(262)	19.4"(495)	27.5"(700)
13LHV	98.5"(2502)	45.6"(1160)	24.2"(615)	32"(810)	40.5"(1030)	10"	11.9"(262)	20.8"(530)	29.5"(750)
15LHV	99.6"(2532)	46.1"(1173)	24.9"(633)	34"(860)	43.3"(1100)	12"	11.9"(262)	22.2"(565)	31.4"(799)
17LHV	105.5"(2682)	50.1"(1275)	26.3"(670)	36"(912)	45.3"(1152)	12"	12.8"(326)	22.6"(575)	32"(814)
19LHV	106.7"(2712)	50.6"(1287)	26.8"(682)	38"(962)	48.1"(1222)	14"	12.8"(326)	24"(611)	34"(864)
21LHV	109.9"(2792)	51.9"(1320)	28.3"(720)	40"(1012)	50"(1272)	14"	12.8"(326)	25.4"(647)	35.9"(914)
23LHV	113.7"(2889)	55.1"(1400)	29.5"(750)	42"(1074)	54"(1374)	14"	12.7"(325)	25.9"(658)	36.6"(931)



Ordering Information

Number of Element	Product Name	Cartridge Length	Material of Construction	Inlet/Outlet Connection Size	Connection Type	Davit Arm Assembly	Flange Type	Code	Pressure Rating (psig)	Option	ASME Stamp
1, 2, 3, 4, 5, 6, 7, 8, 10, 12, 13, 15, 17, 19, 21, 23	LHV	4=40"	A=304SS S=316SS SL=316LSS RL=Rubber Lining	3", 4", 5", 6", 8", 10", 12", 14"	F=Flange	Standard	A=ANSI J=JIS D=DIN	NC=None Code C=ASME Code	150	Blank=None P=Mechanical polished U=U Stamp UM=UM Stamp	Blank=None U=U Stamp UM=UM Stamp