

# MFB Series Multi-Bag Filter Housings



## Product Introduction



Filtrafine MFB series stainless steel multi-bags filter housing provides high-volume solutions for high flow applications. The MFB series housing is available to accommodate 2 to 15 bags and size 1 or size 2 length filter bags to handle up to 880m<sup>3</sup>/hr per housing. Economical side-in and side-out connection and low profile design meet user various installation requirements. The MFB series is designed with a proven swing eye bolt closure mechanism to ensure sealing and provides user friendly davit arm assisted, spring assisted cover or hydraulic assisted cover lifting mechanism to eliminate the tool needs while filter bag change-out. MFB series filter housing is constructed of 304, 316 or 316L stainless steel material which gives excellent resistance of corrosion for product purity.

- Manufactured under a certified ISO 9001 quality system
- ASME Code U stamp (optional)

## Product Specifications

### Materials of Construction

- Shell: 304, 316 or 316L Stainless Steel
- Legs/swing Eye Bolts: 304 Stainless Steel
- O-rings: EPDM (standard)  
Silicone, Teflon Encapsulated Viton,  
Viton (optional)

### Dimensions

- Inlet/Outlet: 3", 4", 5", 6", 8", 10", 12"
- Connection Types: ANSI, JIS, and DIN Flange
- Vent : 1" NPT
- Drain : 1" NPT
- Guage : 1/4" NPT

## Performance Specifications

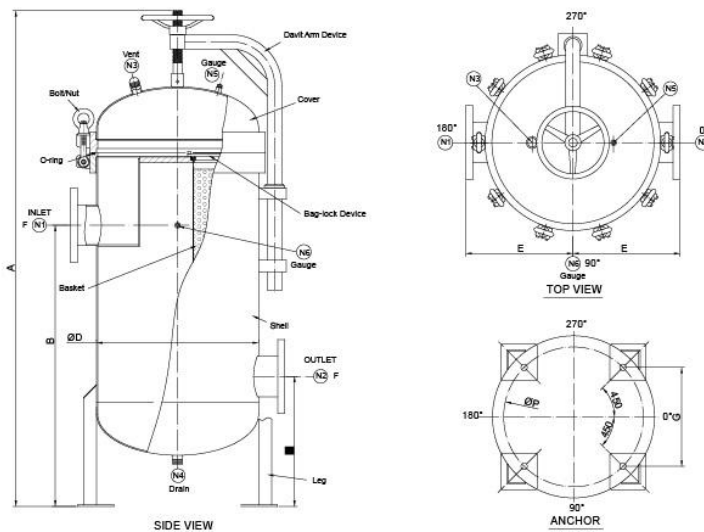
### Maximum Operating Pressure

150 psig (10.3 bar) @ 77°F (25°C) in liquid service



Model	Dimension Inch (mm)							
	A	B	C	ØD	E	F	G	ØP
2MFB2	58"(1475)	31.3"(797)	15.6"(397)	18"(456)	12.1"(308)	3"	11.5"(293)	16.3"(415)
3MFB2	65.4"(1663)	37"(942)	16.6"(422)	20"(508)	13.1"(334)	4"	12"(304)	16.9"(430)
4MFB2	67.1"(1706)	38"(967)	17.6"(447)	22"(558)	14.5"(369)	5"	13.4"(340)	18.9"(481)
5MFB2	69.2"(1759)	39.4"(1003)	18.6"(473)	24"(608)	15.5"(394)	6"	14.8"(376)	20.9"(531)
6MFB2	70.4"(1789)	39.9"(1015)	19"(485)	26"(658)	16.5"(419)	6"	16.2"(411)	22.9"(582)
7MFB2	73.6"(1870)	40.2"(1023)	20.5"(523)	28"(710)	17.9"(455)	8"	18.1"(460)	25.6"(650)
8MFB2	74.8"(1900)	40.7"(1036)	21.1"(536)	30"(760)	18.9"(480)	8"	19.5"(495)	27.6"(700)
9MFB2	75.7"(1925)	41.2"(1048)	21.5"(548)	32"(810)	19.8"(505)	8"	20.9"(530)	29.5"(750)
11MFB2	78.7"(2001)	41.5"(1056)	23"(586)	34"(860)	21.2"(540)	10"	22.2"(565)	31.5"(799)
12MFB2	82.7"(2101)	42"(1069)	23.5"(599)	36"(912)	22.2"(566)	10"	22.6"(575)	32"(814)
13MFB2	85.6"(2176)	42.4"(1077)	25"(637)	38"(962)	24"(612)	12"	24.1"(611)	34"(864)
15MFB2	86.8"(2206)	42.8"(1089)	25.5"(649)	40"(1012)	25"(637)	12"	25.5"(647)	36"(914)

\* For size 1 requirement, please contact your Filtrafine representative.



## Ordering Information

Number of Element	Product Name	Bag Size	Material of Construction	Inlet/Outlet Connection Size	Connection Type	Davit Arm Assembly	Flange Type	Code	Pressure Rating (psig)	Option	ASME Stamp
2, 3, 4, 5, 6, 7, 8, 9, 11, 12, 13, 15	MFB	1=01 2=02	304=304SS 316=316SS 316L=316LSS	3", 4", 5", 6", 8", 10", 12"	F=Flange	Standard	A=ANSI J=JIS D=DIN	NC=None Code C=ASME Code	150	Blank=None P=Mechanical polished	Blank=None U=U Stamp